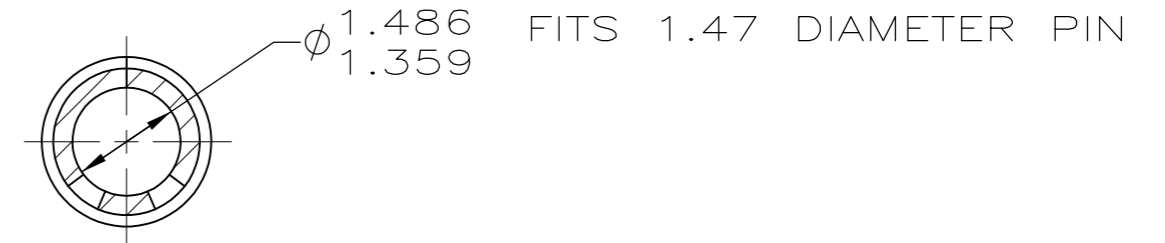
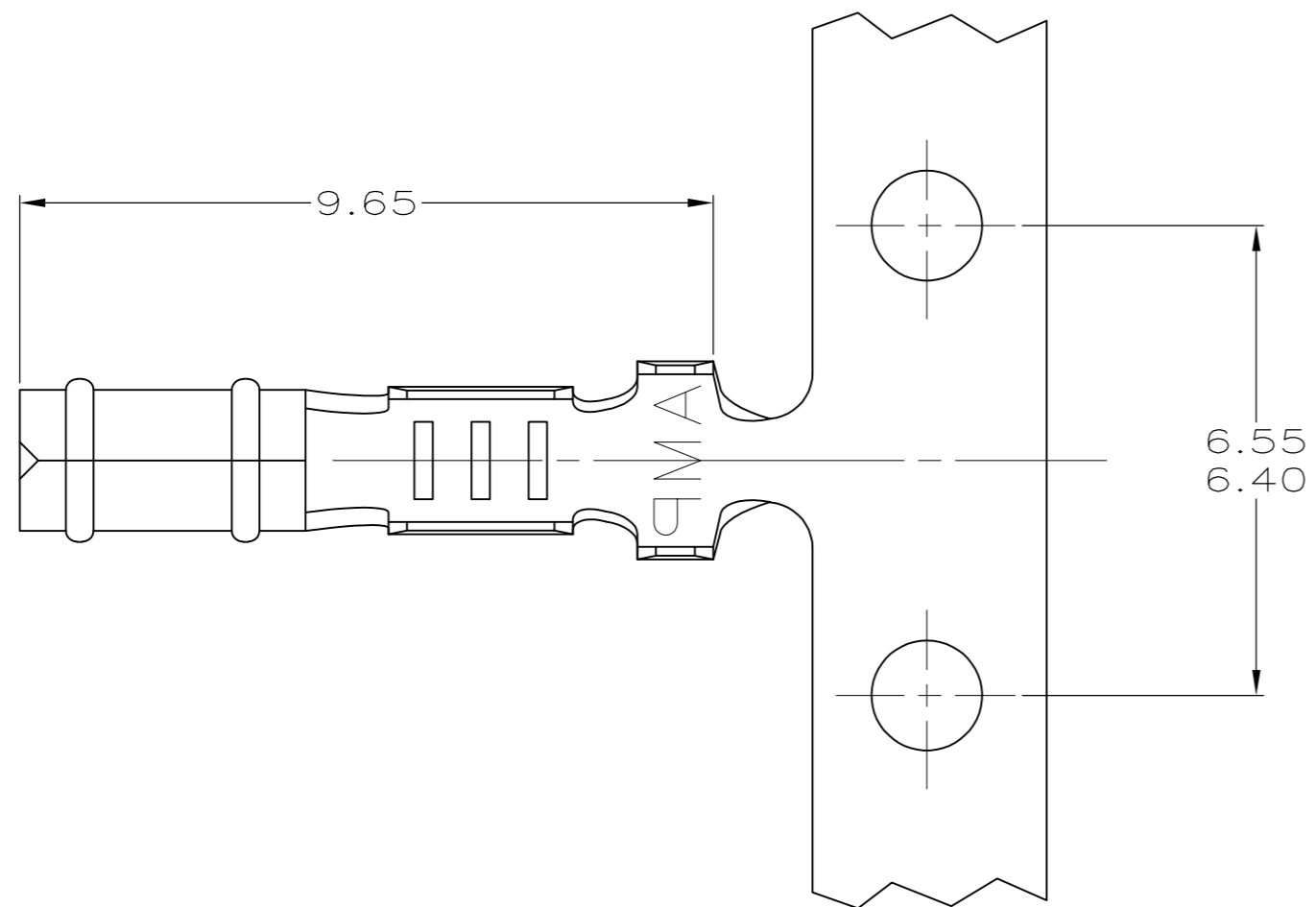


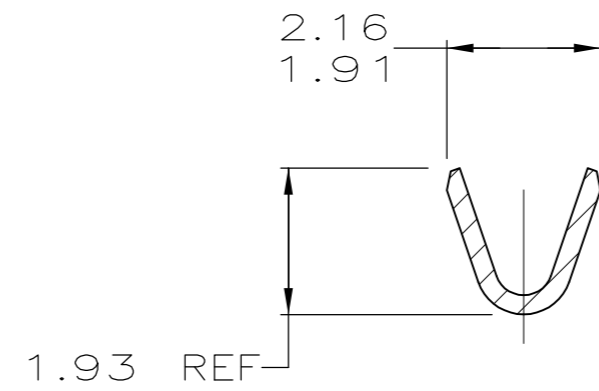
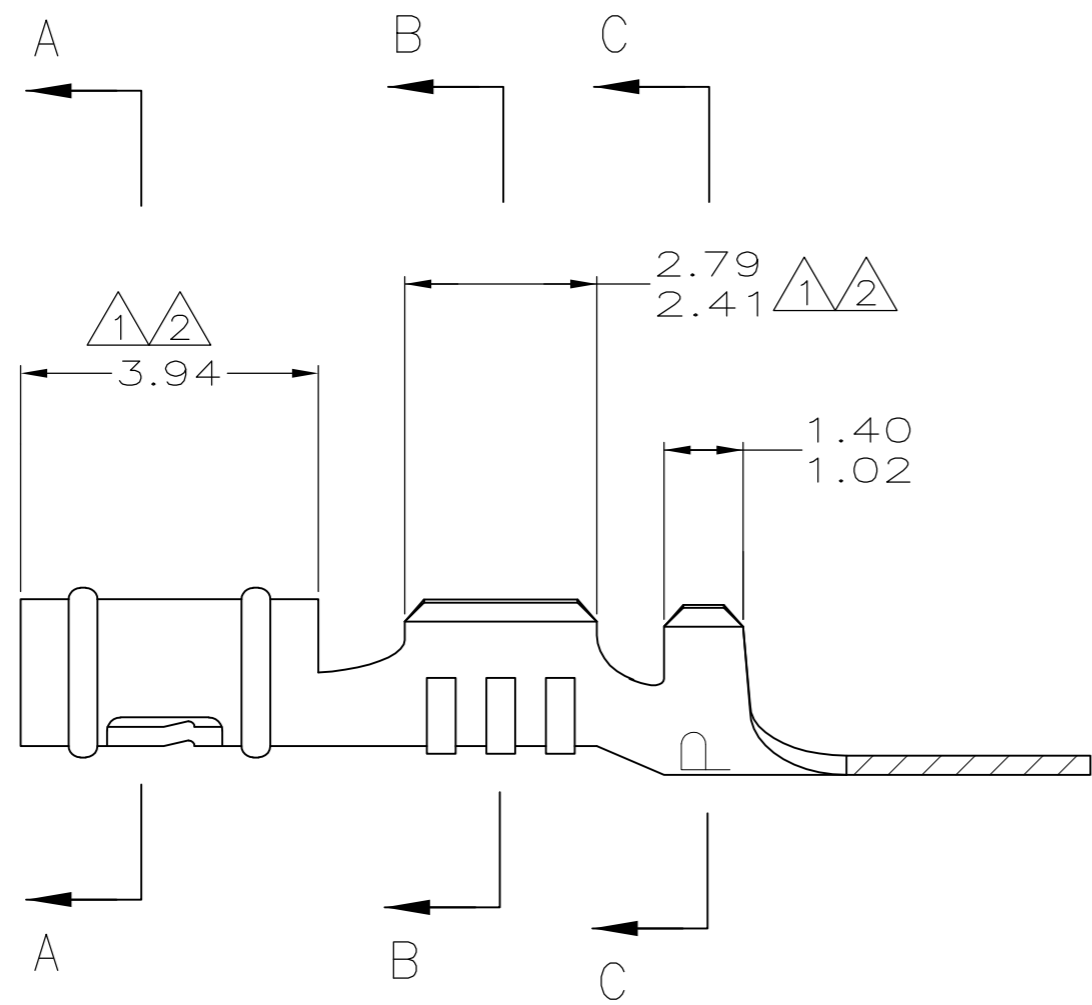
THIS DRAWING IS UNPUBLISHED. RELEASED FOR PUBLICATION  
 © COPYRIGHT - By - ALL RIGHTS RESERVED.

LOC	DIST	REVISIONS					
		P	LTR	DESCRIPTION	DATE	DWN	APVD
CM	52		AH1	REVISED PER ECO-11-004917	11MAR11	RK	HMR

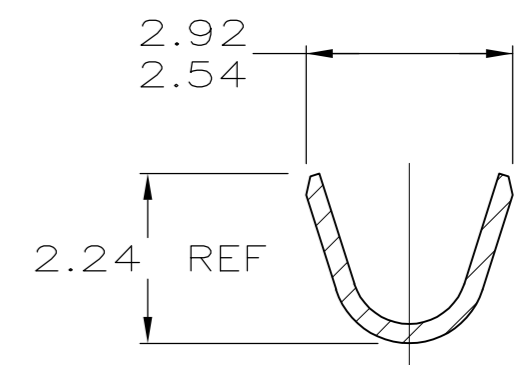
- ① 0.00038 MIN SELECTIVE GOLD PLATING ON INSIDE OF RECEPTACLE AND WIRE BARREL OVER NICKEL OVER ALL UNDERPLATE.
- ② 0.00076 MIN SELECTIVE GOLD PLATING ON INSIDE OF RECEPTACLE AND WIRE BARREL OVER NICKEL OVER ALL UNDERPLATE.
- 3. WIRE RANGE: 0.2 - 0.6 MM<sup>2</sup> (24 - 20 AWG)
- 4. INSULATION RANGE: 1.14 - 1.78
- ⑤ REVERSED REELED.



SECTION A-A



SECTION B-B



SECTION C-C

①	0.25 BE CU	60598-9	
②	0.25 BE CU	60598-8	
③	0.25 PH BRZ	60598-7	
④	0.25 PH BRZ	60598-5	
⑤	MATTE TIN	0.25 BE CU	60598-4
⑥	PRE-TIN	0.25 PH BRZ	60598-3
⑦	MATTE TIN	0.25 BE CU	60598-2
⑧	PRE-TIN	0.25 PH BRZ	60598-1
	FINISH	MATERIAL	PART NUMBER

1.14	.045	1.91	.075	2.79	.110	-	-
1.02	.040	1.78	.070	2.54	.100	9.65	.380
0.25	.010	1.486	.0585	2.41	.095	6.55	.258
0.13	.005	1.47	.058	2.24	.088	6.40	.252
0.00076	.000030	1.40	.055	2.16	.085	3.94	.155
0.00038	.000015	1.359	.0535	1.93	.076	2.92	.115
MM	IN	MM	IN	MM	IN	MM	IN

CONVERSION TABLE

METRIC

THIS DRAWING IS A CONTROLLED DOCUMENT.

DIMENSIONS:	TOLERANCES UNLESS OTHERWISE SPECIFIED:	DWN	5-08-97		TE Connectivity		
mm		CHK	5-08-97				
		APVD	8-22-97				
		PRODUCT SPEC					
		APPLICATION SPEC		RECEPTACLE, .058 DIAMETER, 24-20 AWG, .045-.070 INSULATION, P.C. CONTACT			
MATERIAL	FINISH	WEIGHT		SIZE	CAGE CODE	DRAWING NO	RESTRICTED TO
SEE TABLE	SEE TABLE	-		A2	00779	C-60598	-
		CUSTOMER DRAWING	SCALE	10:1	SHEET	1 of 1	REV
							AH1